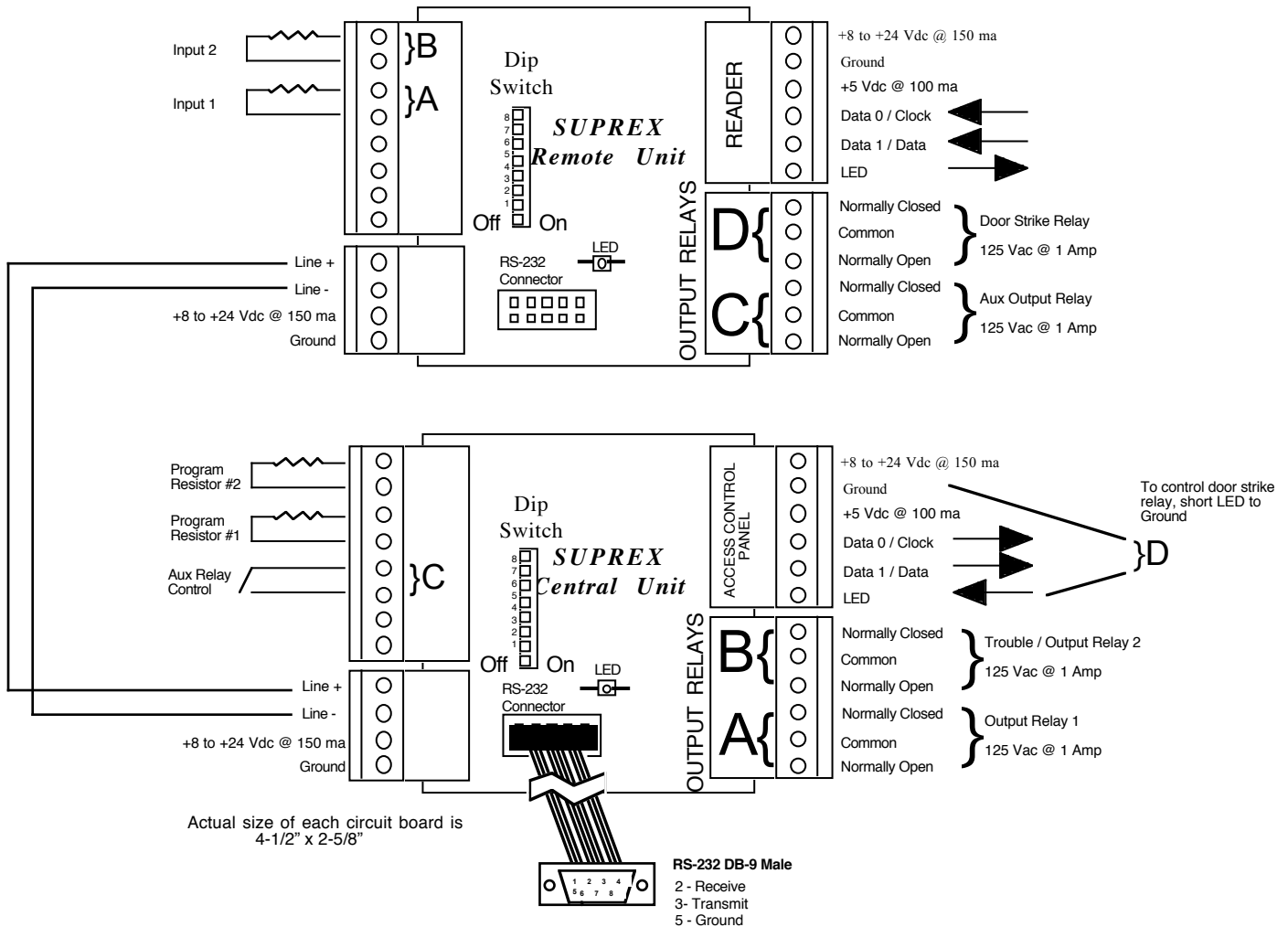


INDUSTRY LEADERS DEPEND ON US ...FOR SOLUTIONS

Cypress Computer Systems, Inc. • 1778 Imlay City Rd. • Lapeer, MI 48446-3206
 TX(810)245-2300 • FX(810)245-2332 • www.cypresscom.com



SUPREX® II Remote Unit Dip Switch Setting

Switch #2 - On = Door Strike Relay does **NOT** follow LED status.
 Off = Door Strike Relay follows status of LED.

Switch #6* - On = Bit mode (Noise filter off) for keypad applications.
 Off = Noise filter mode, standard reader applications
 (Default setting)

SUPREX® II Central Unit Dip Switch Setting

Switch #3 - On = Inverts idle on MagStripe version
 Off = Normal operation of MagStripe version
 Switch #4 - On = Inverts Aux 2 Relay Status
 Off = Normal operation

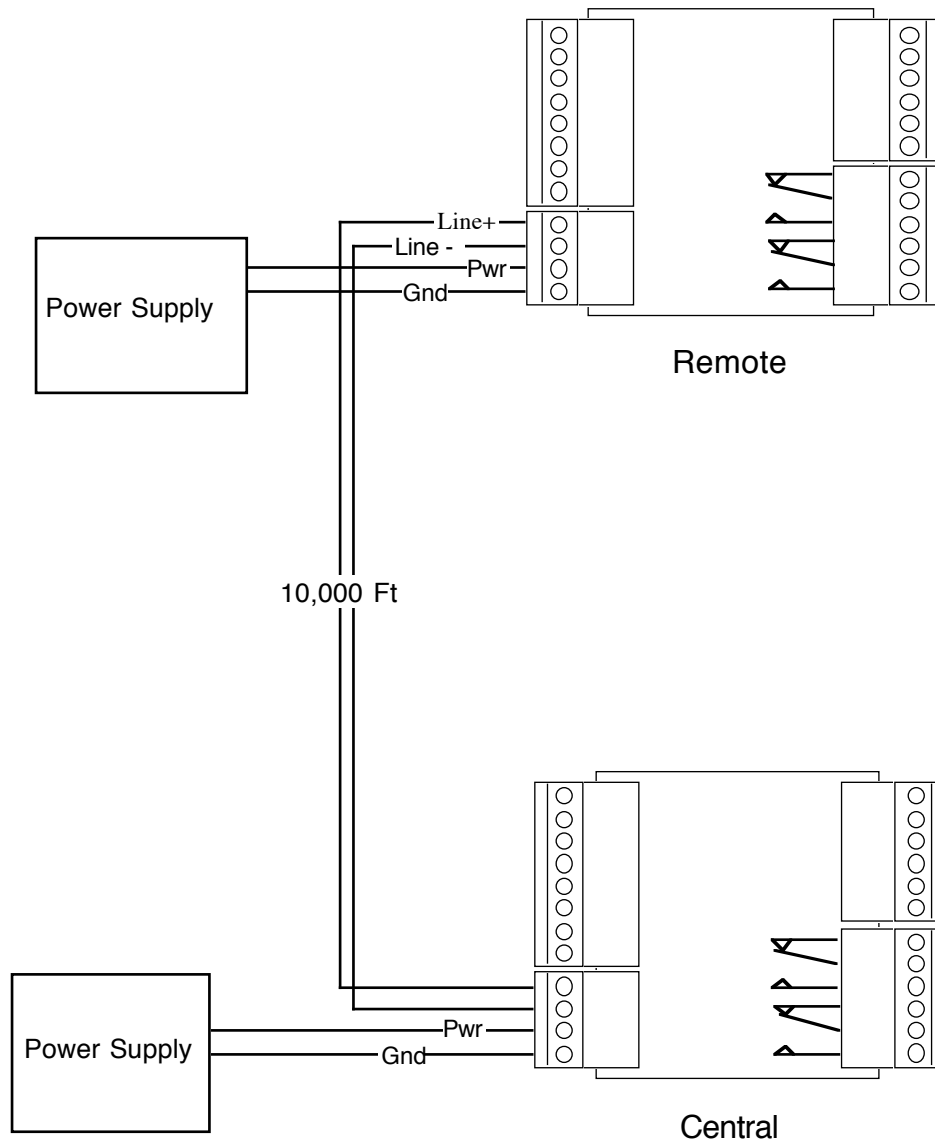
When wired and powered up correctly, LEDs on Remote and Central will blink 5 to 10 times per second. When there is a problem with communication between the Remote and Central, the LED on the Central will blink 2 times per second and the Remote LED will not light at all.

Part Numbers:

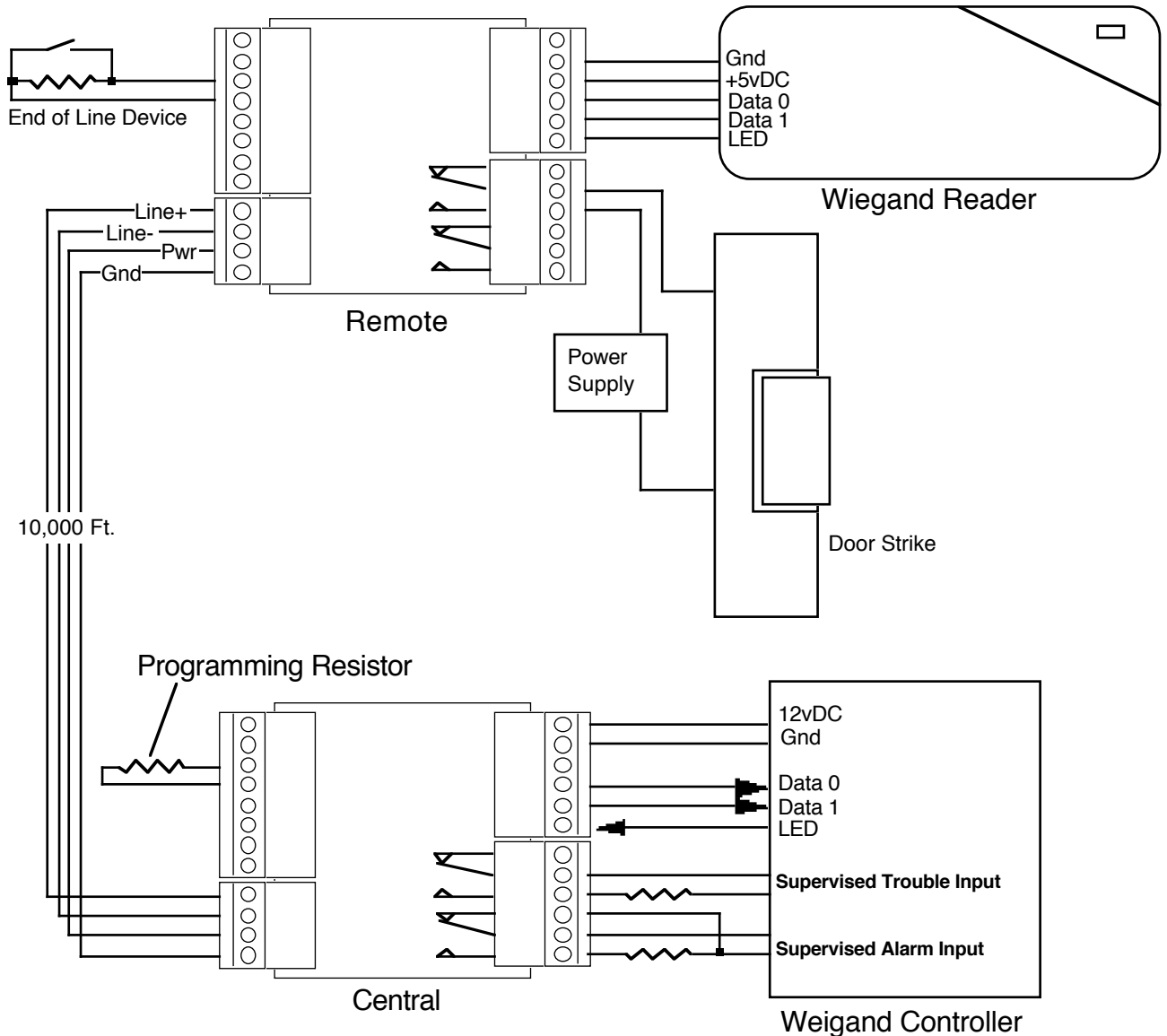
- SPX-2000 : Wiegand format (RS-485)
- SPX-2100 : MagStripe format (RS-485)
- SPX-2500 : Wiegand format (RS-232)
- SPX-2600 : MagStripe format (RS-232)

*Not active on versions earlier than 2-1-2003

Typical 2-Wire Communications Installation



Typical 4-Wire Communications Installation with Wiegand Reader

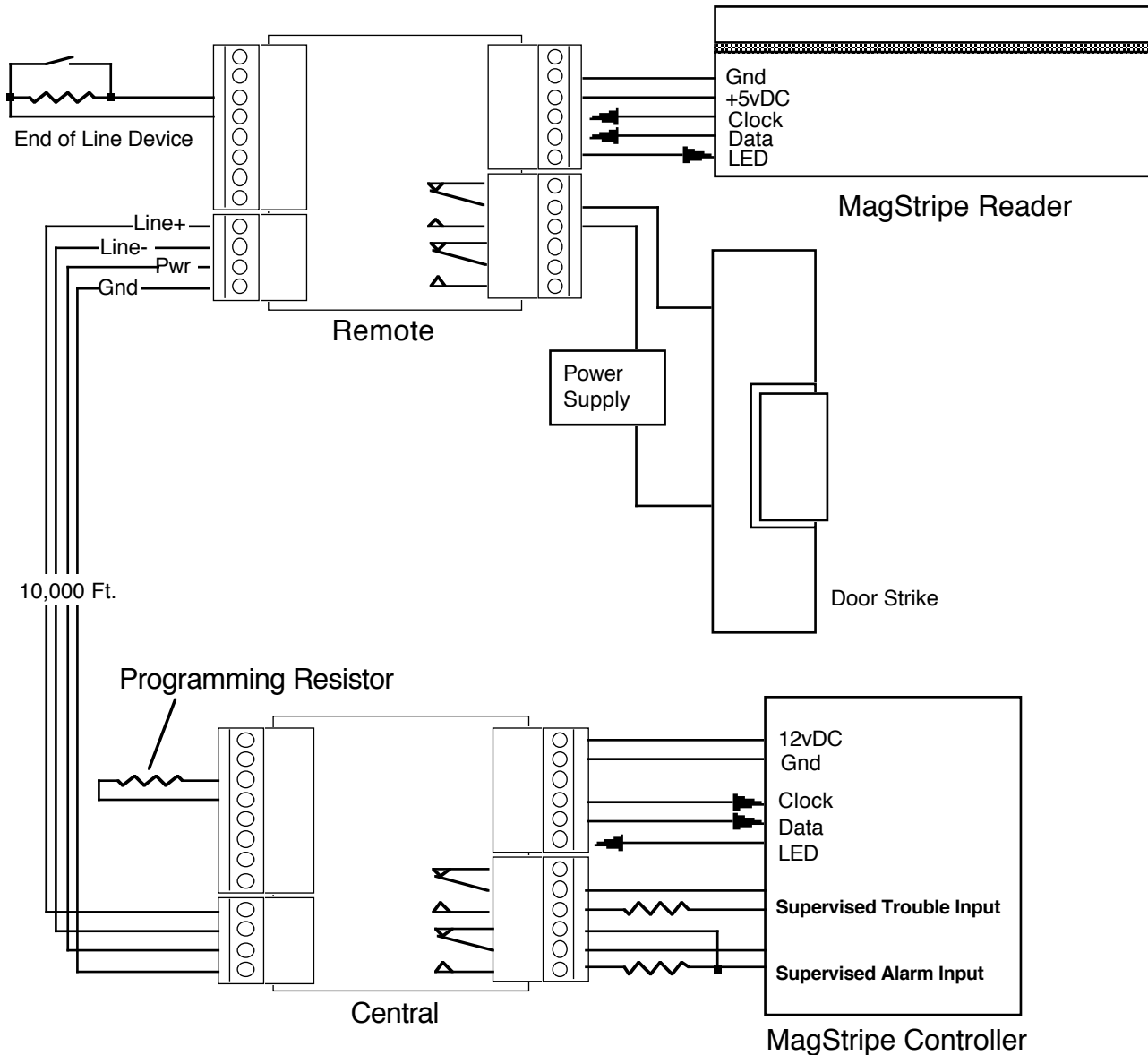


- The Controller's LED signal changes the state of the Door Strike relay.
- The Controller's Supervised Alarm Input monitors the state of the End-of-Line Device.
- If loss of power or communication occurs, the Supervised Trouble Input will activate.
- The Programming Resistor 1 is used to calibrate the Remote Unit's Alarm Input 1 Sensor.

(Any End-of-Line value from 100 Ω to 20K Ω can be monitored by using the same value for the Programming Resistor.)

Typical 4-Wire Communications Installation with MagStripe Reader

SPX-2100 Series

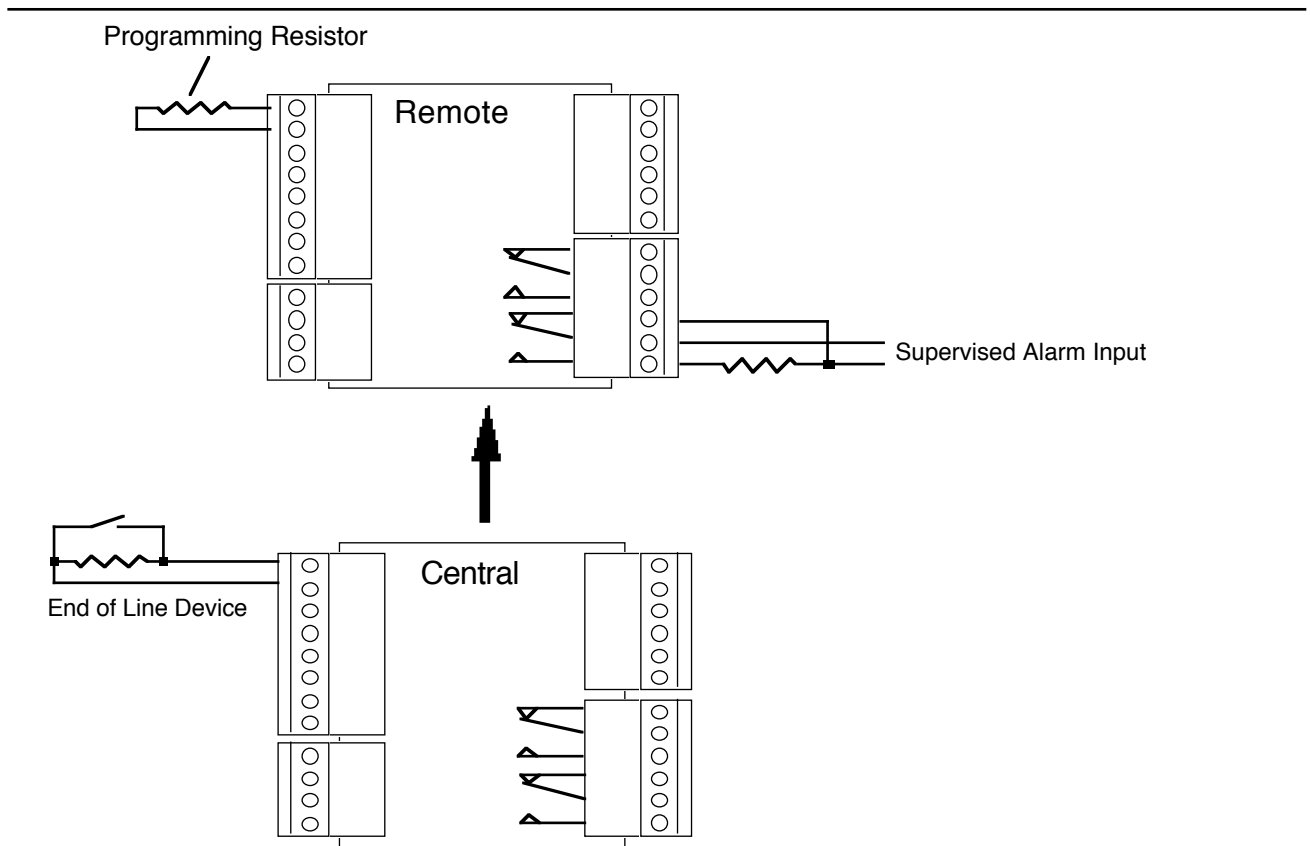
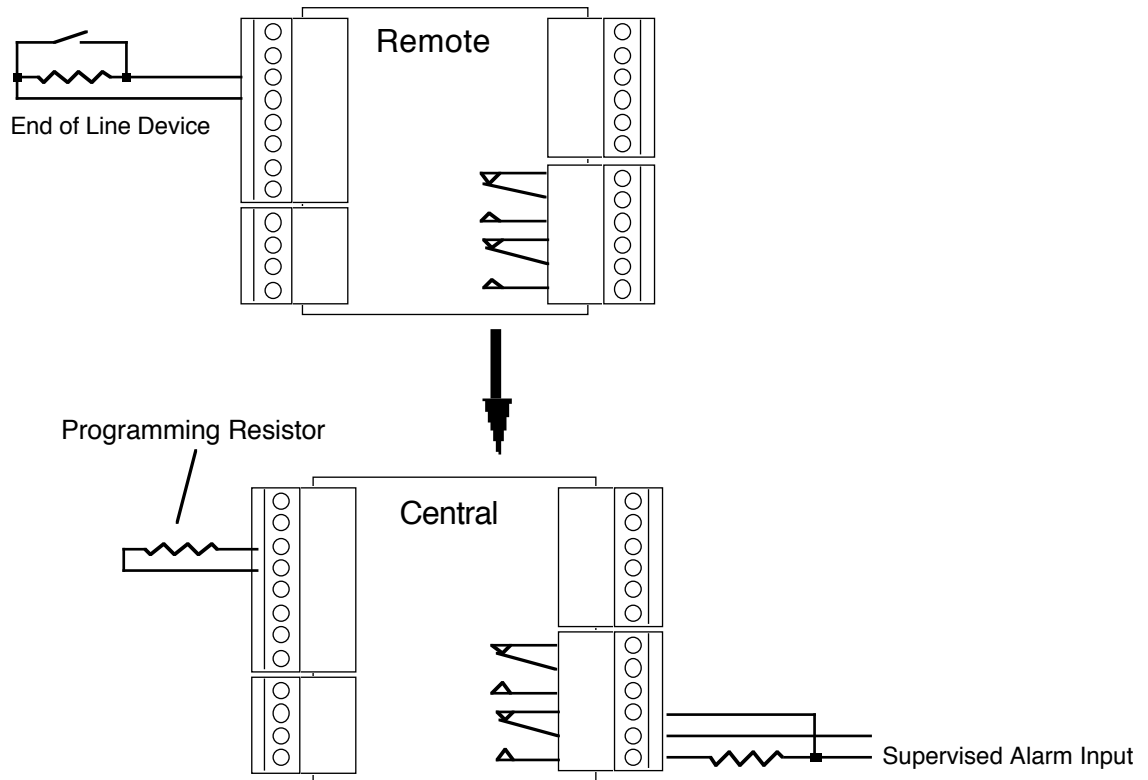


- The Controller's LED signal changes the state of the Door Strike relay.
- The Controller's Supervised Alarm Input monitors the state of the End-of-Line Device.
- If loss of power or communication occurs, the Supervised Trouble Input will activate.
- The Programming Resistor 1 is used to calibrate the Remote Unit's Alarm Input 1 Sensor.

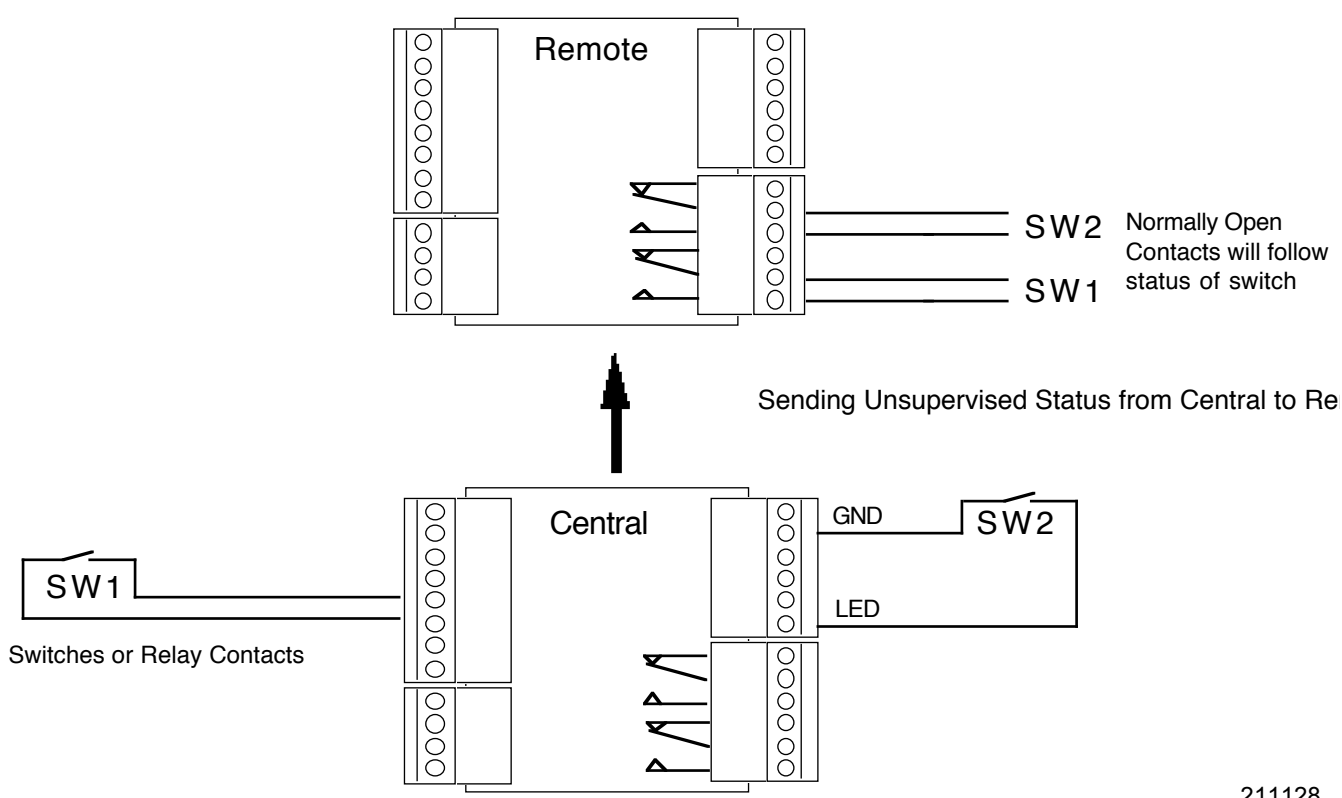
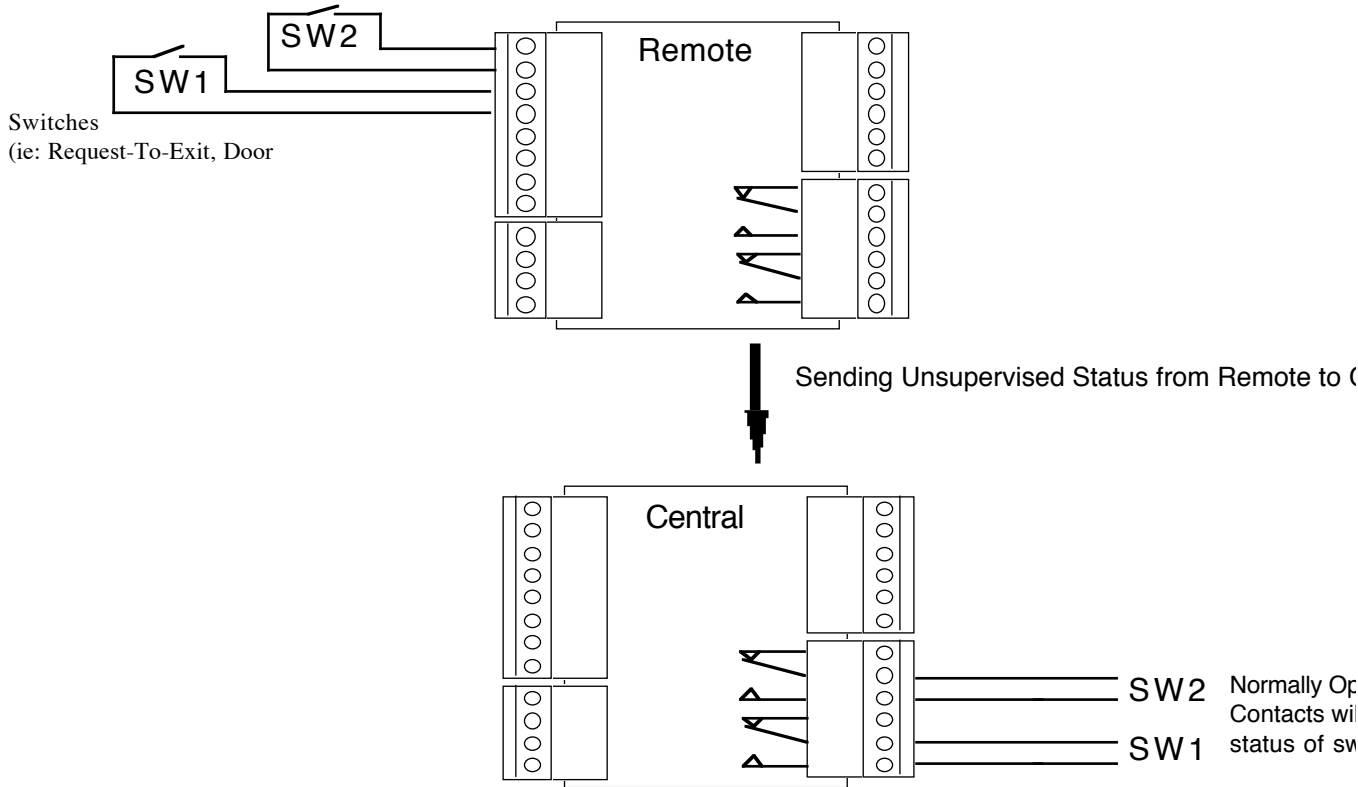
(Any End-of-Line value from 100 Ω to 20K Ω can be monitored by using the same value for the Programming Resistor.)

Cypress Computer Systems, Inc. 1778 Imlay City Road Lapeer, MI 48446
TX(810)245-2300 FX(810)245-2332 www.cypresscom.com

SUPERVISED Status Monitoring



UN-SUPERVISED Status Monitoring



211128